

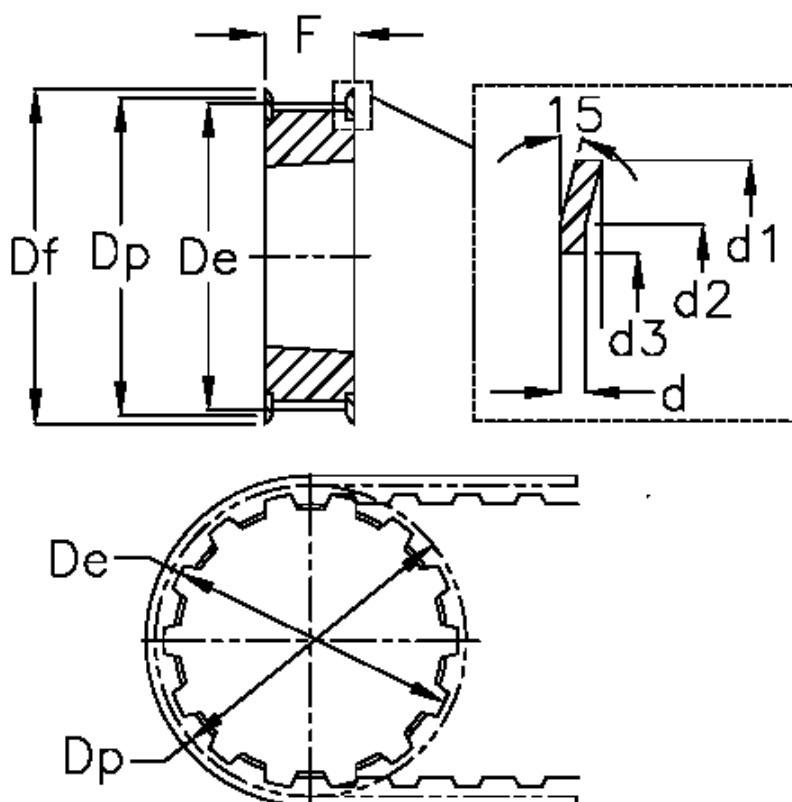
# Data Sheet



Article number: 604130034015

Description: Taper bored timing belt pulley  
HTD 34 5M 15 TL 1008

## Measures



$d = 1$	Flange type = F21
$d1 = 57$	For bushing = 1008
$d2 = 52$	Max bore = 25
$d3 = 46$	S = 22
$De = 52.97$	Tooth number = 34
$Df = 57$	Type = 5M
$Dp = 54.11$	Weight = -
$F = 22$	Width = 15